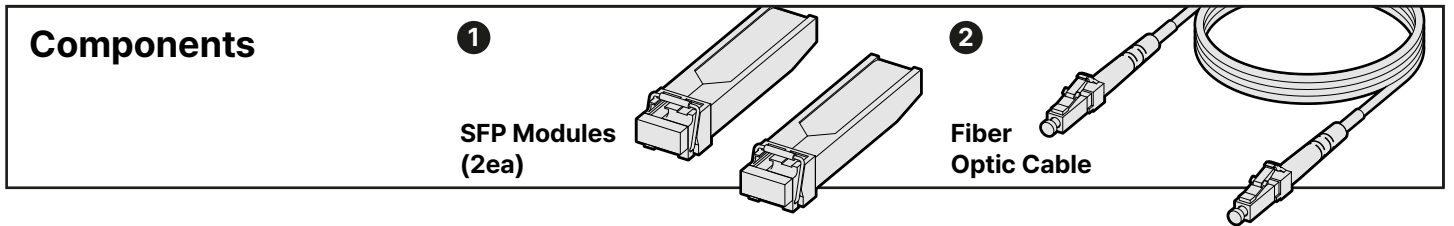
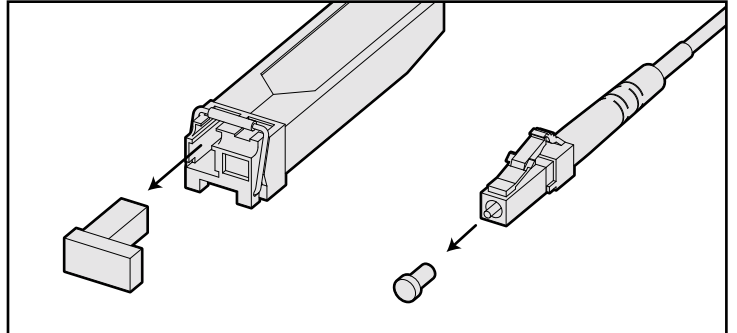


RS130 - RD160

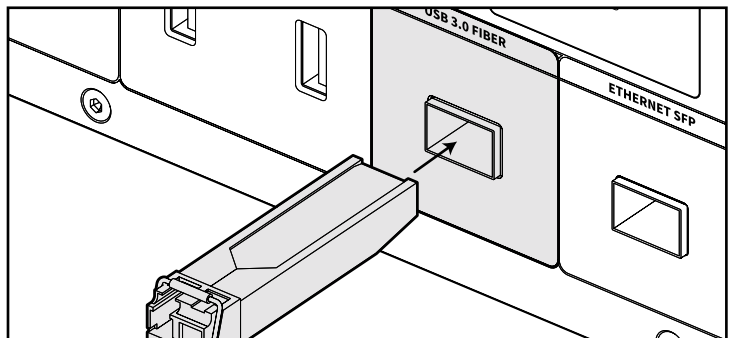
SFP Connection Guide



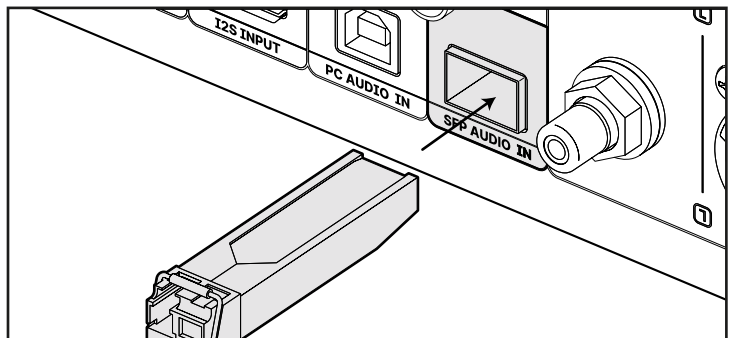
1. Remove the protective caps from the modules and optical cable.



2. Insert the module into the **USB 3.0 FIBER** port on the RS130.

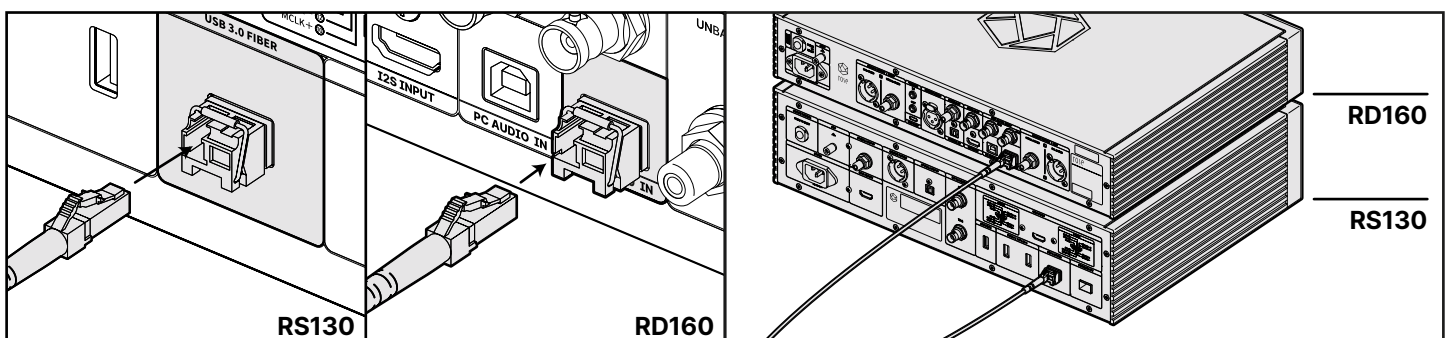


3. Insert the module into the **SFP AUDIO IN** port on the RD160.

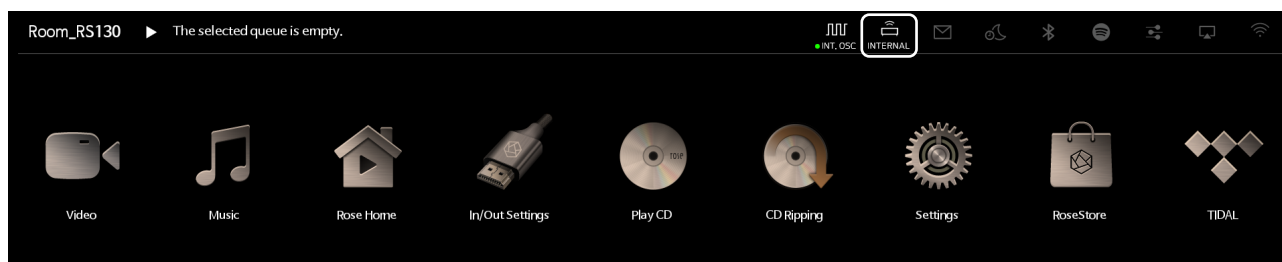


4. Connect the two modules with the optical cable.

* Press firmly until you hear a click.



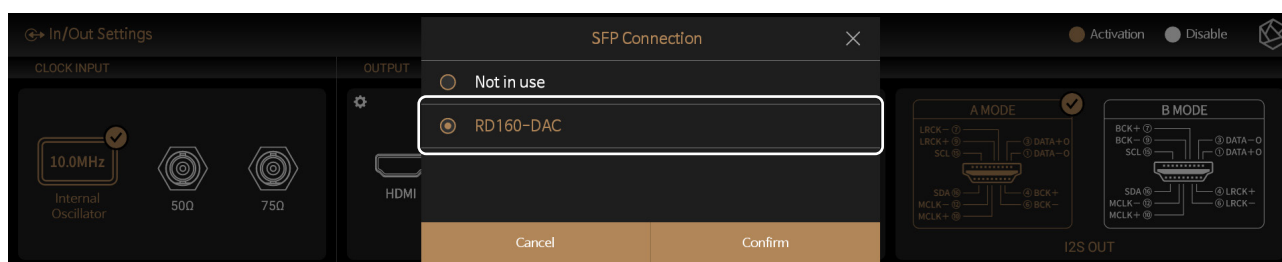
- On the RS130 screen, tap the **second icon** at the top right to enter the In/Out Settings.



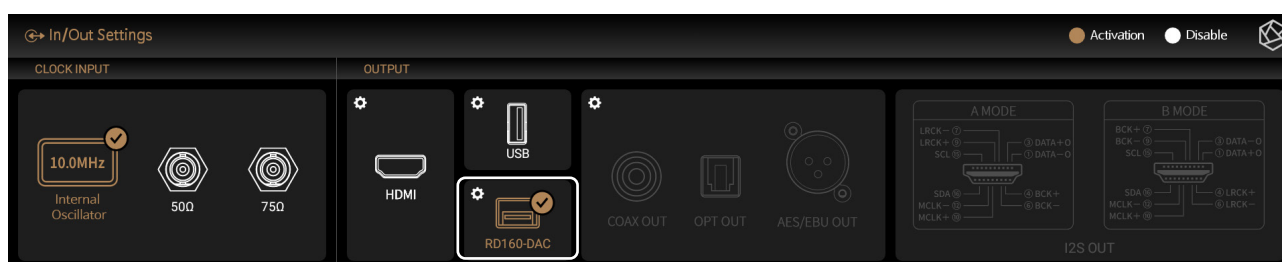
- From the OUTPUT options, select **USB 3.0 FIBER**.



- When the SFP Connection window appears, choose **RD160-DAC**.



- Confirm that the USB 3.0 FIBER option has changed to RD160-DAC.



RD160 Configuration

- Press the **INPUT** selection buttons on the far left and set the input to SFP.

